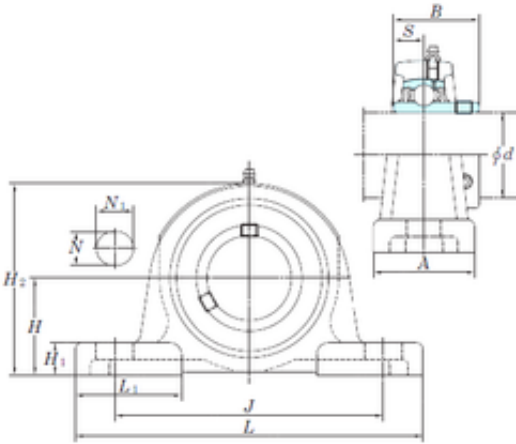




# SNR BEARING CORP.OF CANADA LTD.



SKF Snr NTN NSK Koyo Pillow Block Bearing  
 UCP208-25 UCP208 UCP209-26 UCP209-27  
 UCP209-28 UCP209 UCP210-29 UCP210-30  
 UCP210-31 UCP210-32 UCP210 UCP211-32

Bearing No. UCP208-25

Bore Diameter	39,6875 mm
Width	49,2 mm
d	39,6875 mm
A	54 mm
B	49,2 mm
H	49,2 mm
H1	17 mm
H2	98 mm
J	137 mm
L	184 mm
L1	57 mm
N	17 mm
N1	21 mm
S	19 mm
Bolt (G)	M14
Weight	2 Kg
Basic dynamic load rating (C)	29,1 kN
Basic static load rating (C0)	17,8 kN

UCP208-25 Bearing 2D drawings and 3D CAD models