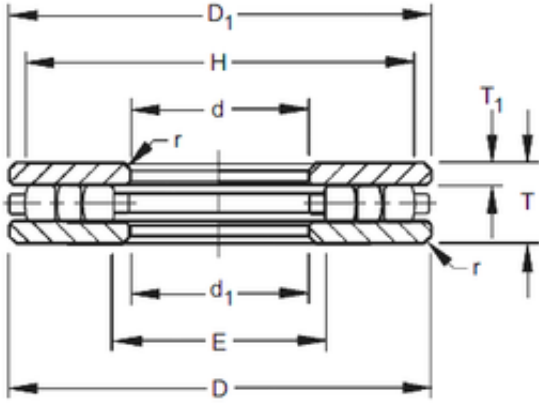




Timken 70TP130 thrust roller bearings

Bearing No. 70TP130



| | |
|----------------|---------------------|
| Size | 177.8x279.4x50.8 mm |
| Bore Diameter | 177,8 mm |
| Outer Diameter | 279,4 mm |
| Width | 50,8 mm |
| d | 177,8 mm |
| D | 279,4 mm |
| T | 50,8 mm |
| r max | 3,2 mm |
| T1 | 14,29 mm |
| d1 | 180,18 mm |
| D1 | 277,02 mm |
| E | 190,5 mm |
| H | 266,7 mm |

70TP130 Bearing 2D drawings and 3D CAD models