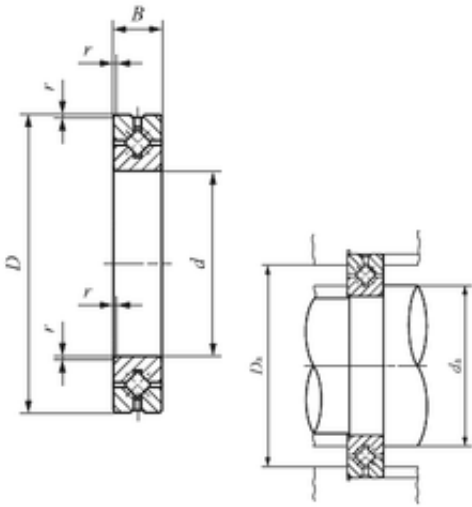




# SNR BEARING CORP.OF CANADA LTD.

250 mm x 310 mm x 25 mm IKO CRBH 25025  
A thrust roller bearings

Bearing No. CRBH 25025 A



CRBH 25025 A Bearing 2D drawings and 3D CAD models

Size	250x310x25 mm
Bore Diameter	250 mm
Outer Diameter	310 mm
Width	25 mm
d	250 mm
D	310 mm
B	25 mm
r min.	1,5 mm
Da	298 mm
da	262 mm
Weight	4,97 Kg
Basic dynamic load rating (C)	102 kN