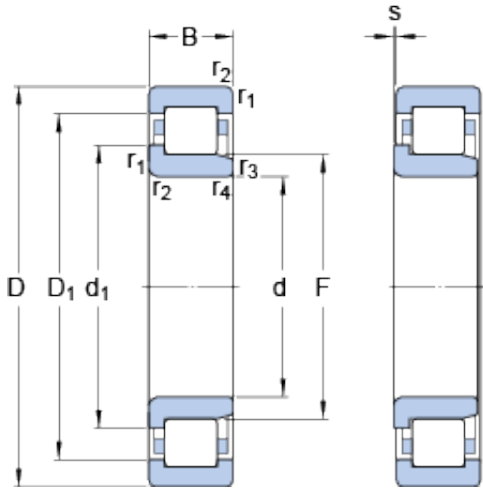




# SNR BEARING CORP.OF CANADA LTD.



130 mm x 230 mm x 40 mm SKF NJ 226 ECML thrust ball bearings

Bearing No. NJ 226 ECML

NJ 226 ECML Bearing 2D drawings and 3D CAD models

Size	230x130x40 mm
Bore Diameter	230 mm
Outer Diameter	130 mm
Width	40 mm
d	130 mm
D	230 mm
B	40 mm
d <sub>1</sub>	164 mm
D <sub>1</sub>	201.2 mm
F	153.5 mm
r <sub>1,2</sub> - min.	3 mm
r <sub>3,4</sub> - min.	3 mm
s	2.1 mm
d <sub>a</sub> - min.	144 mm
d <sub>a</sub> - max.	150 mm
d <sub>b</sub> - min.	167 mm
D <sub>a</sub> - max.	215.4 mm
r <sub>a</sub> - max.	2.5 mm
Basic dynamic load rating - C	415 kN
Basic static load rating - C <sub>0</sub>	455 kN
Fatigue load limit - P <sub>u</sub>	51 kN
Reference speed	3200 r/min
Limiting speed	5300 r/min
Calculation factor - k <sub>r</sub>	0.23



## SNR BEARING CORP.OF CANADA LTD.

$d_1$	164 mm
$D_1$	201.2 mm
$r_{1,2}$ min.	3 mm
$r_{3,4}$ min.	3 mm
s max.	2.1 mm
$d_a$ min.	144 mm
$d_a$ max.	150 mm
$d_b$ min.	167 mm
$D_a$ max.	215.4 mm
$r_a$ max.	2.5 mm
Basic dynamic load rating C	415 kN
Basic static load rating $C_0$	455 kN
Fatigue load limit $P_u$	51 kN
Calculation factor $k_r$	0.23
Limiting value e	0.2
Axial load factor Y	0.6
Mass bearing	7.15 kg
Angle ring	HJ 226 EC