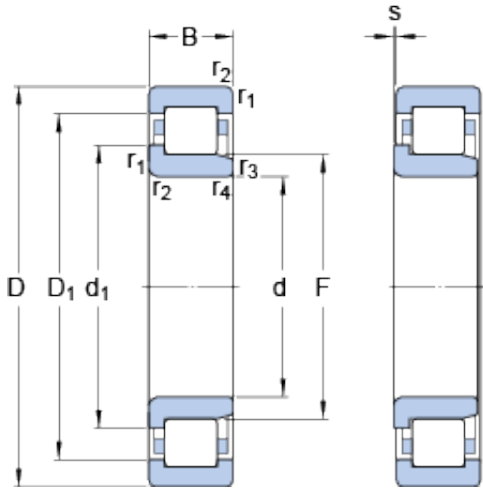




SNR BEARING CORP.OF CANADA LTD.



50 mm x 110 mm x 27 mm SKF NJ 310 ECM thrust ball bearings

Bearing No. NJ 310 ECM

Size	110x50x27 mm
Bore Diameter	110 mm
Outer Diameter	50 mm
Width	27 mm
d	50 mm
D	110 mm
B	27 mm
d ₁	71.2 mm
D ₁	91.4 mm
F	65 mm
r _{1,2} - min.	2 mm
r _{3,4} - min.	2 mm
s	1.9 mm
d _a - min.	60 mm
d _a - max.	63 mm
d _b - min.	73 mm
D _a - max.	99.6 mm
r _a - max.	2 mm
Basic dynamic load rating - C	127 kN
Basic static load rating - C ₀	112 kN
Fatigue load limit - P _u	15 kN
Reference speed	6700 r/min
Limiting speed	8000 r/min
Calculation factor - k _r	0.15

NJ 310 ECM Bearing 2D drawings and 3D CAD models



SNR BEARING CORP.OF CANADA LTD.

Category	Cylindrical Roller Bearings
Inventory	0.0
Manufacturer Name	SKF
Minimum Buy Quantity	N/A
Weight / Kilogram	1.372
EAN	7316576624384
Product Group	B04144
Bore Profile	Straight
Cage Material	Brass
Precision Class	RBEC 1 ISO P0
Number of Rows of Rollers	Single Row
Separable	Inner Ring - One Side
Rolling Element	Cylindrical Roller Bearing
Profile	Complete with Outer and Inner Ring
Snap Ring	No
Internal Clearance	C0-Medium
Retainer	Yes
Relubricatable	Yes
Inch - Metric	Metric
Other Features	High Capacity 1 Rib Inner Ring 2 Rib Outer Ring Cage on Outer Ring ID
Long Description	50MM Bore; Straight Bore Profile; 110MM Outside Diameter; 27MM Width; Brass Cage Material; RBEC 1 ISO P0; Single Row; Inner Ring - One Side Separable; No Snap Ring; Relubricatable; C0-Medium Intern
Category	Cylindrical Roller Bearing
UNSPSC	31171547
Harmonized Tariff Code	8482.50.00.00
Noun	Bearing



SNR BEARING CORP.OF CANADA LTD.

Manufacturer URL	http://www.skf.com
Manufacturer Item Number	NJ 310 ECM
Weight / LBS	3.023
Bore	1.969 Inch 50 Millimeter
Outside Diameter	4.331 Inch 110 Millimeter
Width	1.063 Inch 27 Millimeter
bore diameter:	50 mm
precision rating:	RBEC 1 (ISO Class Normal)
outside diameter:	110 mm
maximum rpm:	8000 RPM
overall width:	27 mm
bearing material:	Steel
flanges:	(2) Outer Ring, (1) Inner Ring
cage material:	Brass
bore type:	Straight
finish/coating:	Uncoated
number of rows:	1
closure type:	Open
internal clearance:	C0
application:	Piston Type Machines, Rolling Mills, Spindles/Machine Tools
ring separation:	Separable Ring
outer ring width:	27 mm
operating temperature range:	Maximum of +300 ° F
fillet radius:	2 mm
dynamic load capacity:	127 kN
series:	NJ3
static load capacity:	112 kN
d ₁	71.2 mm
D ₁	91.4 mm



SNR BEARING CORP.OF CANADA LTD.

$r_{1,2}$ min.	2 mm
$r_{3,4}$ min.	2 mm
s max.	1.9 mm
d_a min.	60 mm
d_a max.	63 mm
d_b min.	73 mm
D_a max.	99.6 mm
r_a max.	2 mm
Basic dynamic load rating C	127 kN
Basic static load rating C_0	112 kN
Fatigue load limit P_u	15 kN
Calculation factor k_r	0.15
Limiting value e	0.2
Axial load factor Y	0.6
Mass bearing	1.34 kg
Angle ring	HJ 310 EC