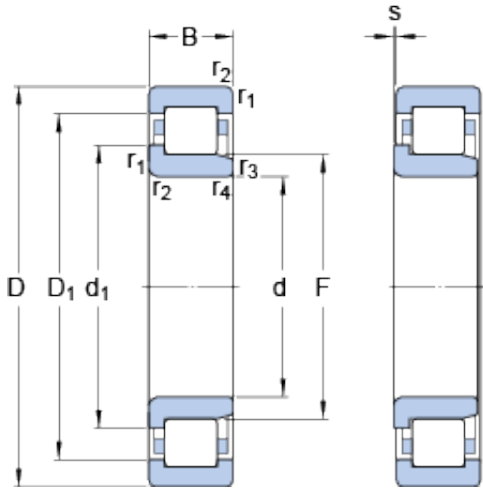




SNR BEARING CORP.OF CANADA LTD.



130 mm x 280 mm x 93 mm SKF NJ 2326 ECPA thrust ball bearings

Bearing No. NJ 2326 ECPA

NJ 2326 ECPA Bearing 2D drawings and 3D CAD models

Size	280x130x93 mm
Bore Diameter	280 mm
Outer Diameter	130 mm
Width	93 mm
d	130 mm
D	280 mm
B	93 mm
d ₁	181 mm
D ₁	235.2 mm
F	167 mm
r _{1,2} - min.	4 mm
r _{3,4} - min.	4 mm
s	8.7 mm
d _a - min.	147 mm
d _a - max.	163 mm
d _b - min.	184 mm
D _a - max.	261.4 mm
r _a - max.	3 mm
Basic dynamic load rating - C	1060 kN
Basic static load rating - C ₀	1250 kN
Fatigue load limit - P _u	137 kN
Reference speed	2400 r/min
Limiting speed	3000 r/min
Calculation factor - k _r	0.38



SNR BEARING CORP.OF CANADA LTD.

d_1	181 mm
D_1	235.2 mm
$r_{1,2}$ min.	4 mm
$r_{3,4}$ min.	4 mm
s max.	8.7 mm
d_a min.	147 mm
d_a max.	163 mm
d_b min.	184 mm
D_a max.	261.4 mm
r_a max.	3 mm
Basic dynamic load rating C	1060 kN
Basic static load rating C_0	1250 kN
Fatigue load limit P_u	137 kN
Calculation factor k_r	0.38
Limiting value e	0.3
Axial load factor Y	0.4
Mass bearing	26.4 kg
Angle ring	HJ 2326 EC