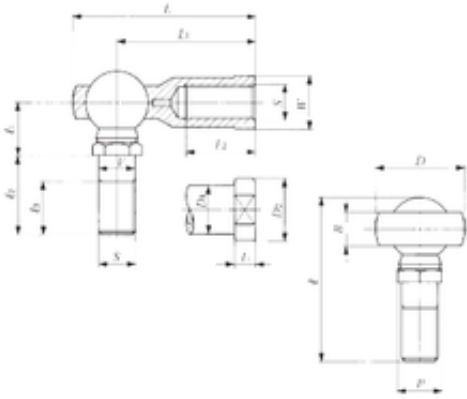




SNR BEARING CORP.OF CANADA LTD.

IKO LHS 6 plain bearings



LHS 6 Bearing 2D drawings and 3D CAD models

Bearing No. LHS 6

P	10 mm
V	6 mm
?1	11,5 mm
?2	18,5 mm
?3	14 mm
L2	16 mm
d3	12,7 mm
l1 min.	5 mm
B	6,75 mm
D	19,5 mm
D1	10 mm
D2	13 mm
L	39,7 mm
L1	30 mm
W	11 mm
?	36,5 Tolerance h14
Thread (G)	M6 × 1
Weight	0,032 Kg