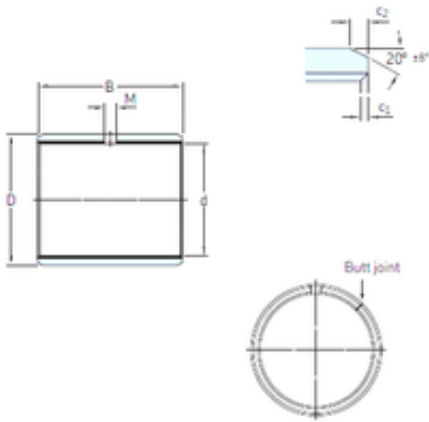




# SNR BEARING CORP.OF CANADA LTD.

37 mm x 40 mm x 20 mm SKF PCM 374020 E  
plain bearings



Bearing No. PCM 374020 E

Size	37x40x20 mm
Bore Diameter	37 mm
Outer Diameter	40 mm
Width	20 mm
d	37 mm
D	40 mm
B	20 mm
c1 min	0,1 mm
c2 min	0,8 mm
M	– mm
Weight	0,027 Kg
Basic dynamic load rating (C)	57 kN
c <sub>1</sub> min.	0.1 mm
c <sub>1</sub> max.	0.7 mm
c <sub>2</sub> min.	0.2 mm
c <sub>2</sub> max.	1 mm
± 8	20 °
Tolerance shaft	f7
Tolerance housing	H7
Basic dynamic load rating - radial direction C	57 kN
Basic static load rating - radial direction C <sub>0</sub>	176 kN
Specific dynamic load factor K	80 N/mm <sup>2</sup>
Specific static load factor K <sub>0</sub>	250 N/mm <sup>2</sup>

PCM 374020 E Bearing 2D drawings and 3D CAD models



## SNR BEARING CORP.OF CANADA LTD.

Factor depending on material and bearing type $K_M$	480
Permissible sliding velocity $v$ min.	0 m/s
Permissible sliding velocity $v$ max.	2 m/s
Coefficient of friction $\mu$ min.	0.03
Coefficient of friction $\mu$ max.	0.25
Mass bushing	0.027 kg