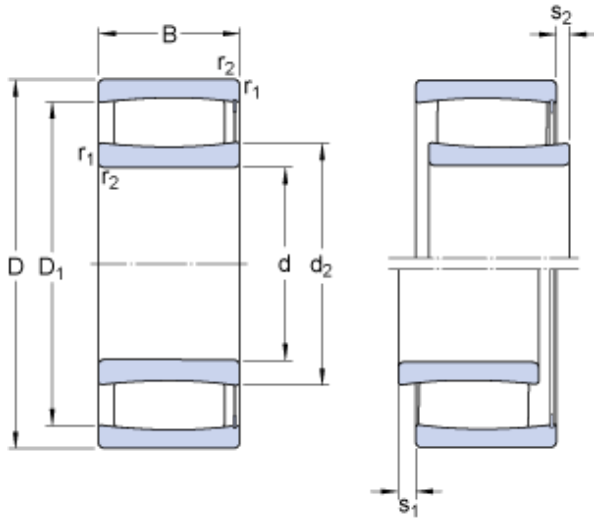




# SNR BEARING CORP.OF CANADA LTD.



50 mm x 90 mm x 23 mm SKF C 2210 V  
cylindrical roller bearings

Bearing No. C 2210 V

C 2210 V Bearing 2D drawings and 3D CAD models

Size	90x50x23 mm
Bore Diameter	90 mm
Outer Diameter	50 mm
Width	23 mm
d	50 mm
D	90 mm
B	23 mm
d <sub>2</sub>	61.9 mm
D <sub>1</sub>	79.4 mm
s <sub>1</sub>	7.1 mm
s <sub>2</sub>	3.9 mm
r <sub>1,2</sub> - min.	1.1 mm
d <sub>a</sub> - min.	57 mm
d <sub>a</sub> - max.	73 mm
D <sub>a</sub> - max.	83 mm
r <sub>a</sub> - max.	1 mm
Basic dynamic load rating - C	114 kN
Basic static load rating - C <sub>0</sub>	122 kN
Fatigue load limit - P <sub>u</sub>	14.3 kN
Limiting speed	3800 r/min
Factor - k <sub>1</sub>	0.097
Factor - k <sub>2</sub>	0.128
Category	Roller Bearings



## SNR BEARING CORP.OF CANADA LTD.

Inventory	0.0
Manufacturer Name	SKF
Minimum Buy Quantity	N/A
Weight / Kilogram	0.625
EAN	7316570411669
Product Group	B04144
bore type:	Straight
static load capacity:	122 kN
bore diameter:	50 mm
maximum rpm:	3800 rpm
outside diameter:	90 mm
cage material:	No Cage
overall width:	23 mm
outer ring width:	23 mm
closure type:	Open
fillet radius:	1 mm
internal clearance:	C0
precision rating:	Not Rated
operating temperature range:	392 ° F
lubrication holes:	No Holes
dynamic load capacity:	114 kN
$d_2$	61.9 mm
$D_1$	79.4 mm
$s_1$ max.	7.1 mm
$s_2$ max.	3.9 mm
$r_{1,2}$ min.	1.1 mm
$d_a$ min.	57 mm
$d_a$ max.	73 mm
$D_a$ max.	83 mm
$r_a$ max.	1 mm
Basic dynamic load rating C	114 kN
Basic static load rating $C_0$	122 kN



## SNR BEARING CORP.OF CANADA LTD.

Fatigue load limit $P_u$	14.3 kN
Misalignment factor $k_1$	0.097
Operating clearance factor $k_2$	0.128
Mass bearing	0.63 kg