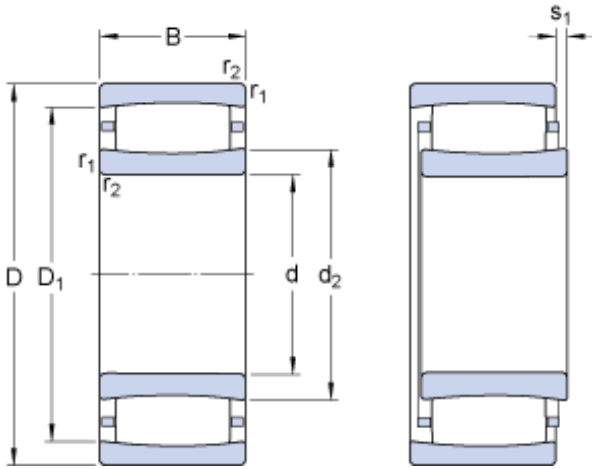




SNR BEARING CORP.OF CANADA LTD.



200 mm x 310 mm x 82 mm SKF C 3040
cylindrical roller bearings

Bearing No. C 3040

C 3040 Bearing 2D drawings and 3D CAD models

Size	310x200x82 mm
Bore Diameter	310 mm
Outer Diameter	200 mm
Width	82 mm
d	200 mm
D	310 mm
B	82 mm
d ₂	235 mm
D ₁	285 mm
s ₁	15.2 mm
r _{1,2} - min.	2.1 mm
d _a - min.	211 mm
d _a - max.	250 mm
D _a - min.	272 mm
D _a - max.	299 mm
C _a - min.	2.9 mm
r _a - max.	2 mm
Basic dynamic load rating - C	1120 kN
Basic static load rating - C ₀	1730 kN
Fatigue load limit - P _u	153 kN
Reference speed	1700 r/min
Limiting speed	2400 r/min
Factor - k ₁	0.123
Factor - k ₂	0.095



SNR BEARING CORP.OF CANADA LTD.

Category	Roller Bearings
Inventory	0.0
Manufacturer Name	SKF
Minimum Buy Quantity	N/A
Weight / Kilogram	21.895
EAN	7316570574951
Product Group	B04144
bore type:	Straight
static load capacity:	1730 kN
bore diameter:	200 mm
maximum rpm:	2400 rpm
outside diameter:	310 mm
cage material:	Steel
overall width:	82 mm
outer ring width:	82 mm
closure type:	Open
fillet radius:	2 mm
internal clearance:	C0
precision rating:	Not Rated
operating temperature range:	392 ° F
lubrication holes:	No Holes
dynamic load capacity:	1120 kN
d_2	235 mm
D_1	285 mm
s_1 max.	15.2 mm
$r_{1,2}$ min.	2.1 mm
d_a min.	211 mm
d_a max.	250 mm
D_a min.	272 mm
D_a max.	299 mm
C_a min.	2.9 mm



SNR BEARING CORP.OF CANADA LTD.

r_a max.	2 mm
Basic dynamic load rating C	1120 kN
Basic static load rating C_0	1730 kN
Fatigue load limit P_u	153 kN
Misalignment factor k_1	0.123
Operating clearance factor k_2	0.095
Mass bearing	22.5 kg