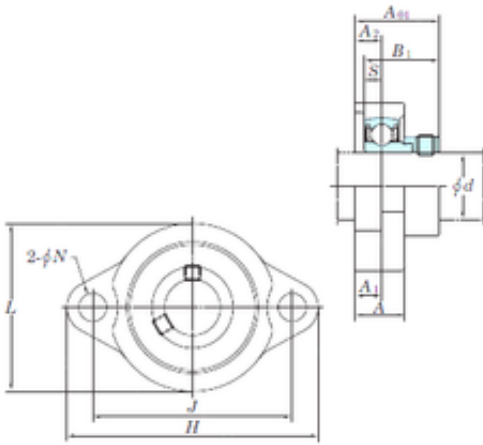




KOYO ALF203 bearing units

Bearing No. ALF203



ALF203 Bearing 2D drawings and 3D CAD models

Bore Diameter	17 mm
d	17 mm
A0	32 mm
A	18 mm
A1	9,5 mm
B1	28,5 mm
H	81 mm
J	63,5 mm
L	52 mm
N	8 mm
S	6 mm
Bolt (G)	M6
A2	9,5 mm
Weight	0,28 Kg
Basic dynamic load rating (C)	9,55 kN
Basic static load rating (C0)	4,8 kN