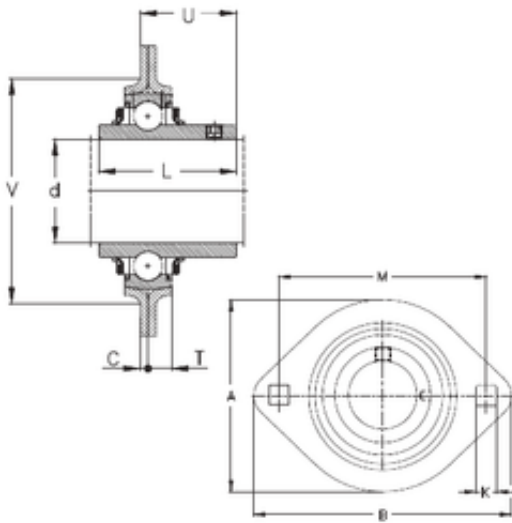




SNR BEARING CORP.OF CANADA LTD.



NKE RRTY30 bearing units

Bearing No. RRTY30

Bore Diameter	30 mm
d	30 mm
V	71 mm
U	24,7 mm
A	84 mm
B	112,7 mm
C	2,5 mm
K	10,5 mm
L	38,1 mm
M	90,5 mm
T	8,7 mm

RRTY30 Bearing 2D drawings and 3D CAD models