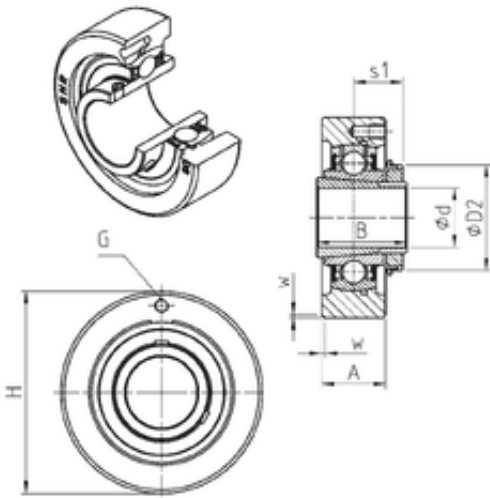




SNR UKC305H bearing units

Bearing No. UKC305H



UKC305H Bearing 2D drawings and 3D CAD models

Bore Diameter	20 mm
Width	35 mm
d	20 mm
s1	21,5 mm
A	26 mm
B	35 mm
D1	35,4 mm
D2	38 mm
H	90 mm
W	2,5 mm
Thread (G)	M6x1
Weight	1,5 Kg
Basic dynamic load rating (C)	22,36 kN
A3	2.5 mm
A5	21.5 mm
B1	35 mm
d1	38 mm
G	M6x1
C	22.36 kN
C0	11.5 kN
T min.	-20 ° C
T max.	100 ° C
Adapter sleeve reference	H2305
Designation of housing	C305-
Designation of bearing	UK305G2H