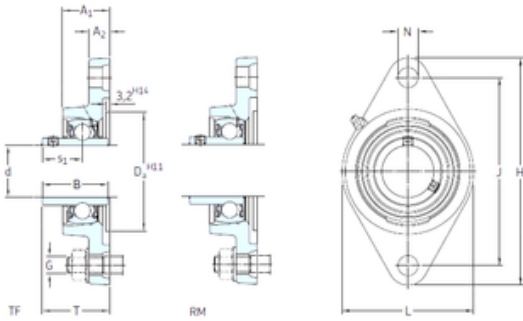




SNR BEARING CORP.OF CANADA LTD.

SKF FYT 2.3/16 RM bearing units



Bearing No. FYT 2.3/16 RM

FYT 2.3/16 RM Bearing 2D drawings and 3D CAD models

Bore Diameter	55,563 mm
Width	45 mm
d	55,563 mm
s1	32,5 mm
A1	47,6 mm
B	45 mm
G	16 mm
H	216 mm
J	184,2 mm
L	127 mm
N	19 mm
T	62,3 mm
A2	20,6 mm
Weight	3,1 Kg
Basic dynamic load rating (C)	43,6 kN
Basic static load rating (C0)	29 kN
Fatigue load limit (Pu)	1,25
Category	Flange Block Bearings
Inventory	0.0
Manufacturer Name	SKF
Minimum Buy Quantity	N/A
Weight / Kilogram	3.007
EAN	7316571503639
Product Group	M06110
Number of Mounting Holes	2
Mounting Method	Set Screw



SNR BEARING CORP.OF CANADA LTD.

Housing Style	2 Bolt Flange Block
Rolling Element	Ball Bearing
Housing Material	Cast Iron
Expansion / Non-expansion	Non-expansion
Mounting Bolts	5/8 Inch
Relubricatable	Yes
Insert Part Number	YAT 211-203
Seals	M Seal
Housing Configuration	1 Piece Solid
Pilot Configuration	No Pilot
Inch - Metric	Inch
Long Description	2 Bolt Flange Block; 2-3/16" Bore; 7.3" Bolt Circle; 7-1/4" Bolt Spacing; 1 Piece Solid; Set Screw Mount; Cast Iron; Ball Bearing; 1-25/32" Length Thru Bore; Relubricatable; M Seal
Other Features	Single Row Standard Duty Narrow Inner Race Open End Y Bearing
Category	Flange Block
UNSPSC	31171501
Harmonized Tariff Code	8483.20.40.40
Noun	Bearing
Keyword String	Flanged
Manufacturer URL	http://www.skf.com
Manufacturer Item Number	FYT 2.3/16 RM
Weight / LBS	6.3
Bolt Spacing	7.25 Inch 184.15 Millimeter
Cartridge Pilot Depth	0 Inch 0 Millimeter
Length Thru Bore	1.781 Inch 45.237 Millimeter
Cartridge Pilot Diameter	0 Inch 0 Millimeter



SNR BEARING CORP.OF CANADA LTD.

Bore	2.188 Inch 55.575 Millimeter
Nominal Bolt Circle Diameter Round	7.3 Inch 184.2 Millimeter
bore diameter:	2.1875 in
radial static load capacity:	6530 lbf
bolt center-to-center length:	7.2500 in
seal type:	Contact Seal
bore type:	Round
length through bore:	62.3 mm
duty type:	Intermediate Duty
finish/coating:	Uncoated
mounting type:	Two-Bolt Flange
maximum rpm:	3600 RPM
housing material:	Cast Iron
lubrication type:	Lubrication Fitting
locking device:	Set Screw
series:	FYT
expansion type:	Non-Expansion Bearing (Fixed)
replacement bearing:	YAT 211-203
radial dynamic load capacity:	9810 lbf
manufacturer upc number:	7316571503639