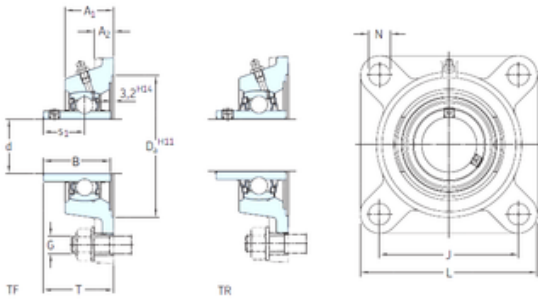




# SNR BEARING CORP.OF CANADA LTD.

## SKF FY 25 TF bearing units

Bearing No. FY 25 TF



FY 25 TF Bearing 2D drawings and 3D CAD models

Bore Diameter	25 mm
d	25 mm
Da	74,6 mm
s1	19,8 mm
A1	30 mm
B	34,1 mm
G	10 mm
J	70 mm
L	95 mm
N	11,5 mm
T	38,8 mm
A2	12 mm
Weight	0,77 Kg
Basic dynamic load rating (C)	14 kN
Basic static load rating (C0)	7,8 kN
Fatigue load limit (Pu)	0,335
Category	Flange Block Bearings
Inventory	0.0
Manufacturer Name	SKF
Minimum Buy Quantity	N/A
Weight / Kilogram	0.767
EAN	7316577030788
Product Group	M06110
Number of Mounting Holes	4
Mounting Method	Set Screw
Housing Style	4 Bolt Square Flange Block



## SNR BEARING CORP.OF CANADA LTD.

Rolling Element	Ball Bearing
Housing Material	Cast Iron
Expansion / Non-expansion	Non-expansion
Mounting Bolts	10 Millimeter
Relubricatable	Yes
Insert Part Number	YAR 205-2F
Seals	M Seal
Housing Configuration	1 Piece Solid
Pilot Configuration	No Pilot
Inch - Metric	Metric
Long Description	4 Bolt Square Flange Block; 25MM Bore; 99MM Bolt Circle; 70MM Bolt Spacing; 1 Piece Solid; Set Screw Mount; Cast Iron; Ball Bearing; 34.1MM Length Thru Bore; Relubricatable; M Seal Seals
Other Features	Single Row   Standard Duty   Wide Inner Race   Open End   Has Flinger   Y Bearing
Category	Flange Block
UNSPSC	31171501
Harmonized Tariff Code	8483.20.40.40
Noun	Bearing
Keyword String	Flanged
Manufacturer URL	<a href="http://www.skf.com">http://www.skf.com</a>
Manufacturer Item Number	FY 25 TF
Weight / LBS	1.7
Bore	0.984 Inch   25 Millimeter
Cartridge Pilot Diameter	0 Inch   0 Millimeter
Cartridge Pilot Depth	0 Inch   0 Millimeter
Length Thru Bore	1.343 Inch   34.1 Millimeter
Bolt Spacing	2.756 Inch   70 Millimeter



## SNR BEARING CORP.OF CANADA LTD.

Nominal Bolt Circle Diameter Round	3.9 Inch   99 Millimeter
bore diameter:	25 mm
radial static load capacity:	7.8 kN
bolt center-to-center length:	70 mm
seal type:	Contact Seal
overall length/diameter:	95 mm
end type:	Open
bore type:	Round
length through bore:	38.8 mm
duty type:	Standard Duty
finish/coating:	Uncoated
mounting type:	Four-Bolt Flange
lubrication type:	Lubrication Fitting
housing material:	Cast Iron
series:	FY
locking device:	Set Screw
replacement bearing:	YAR 205-2F
expansion type:	Non-Expansion Bearing (Fixed)
manufacturer upc number:	7316577030788
radial dynamic load capacity:	14 kN
Housing material	Cast iron
$D_a$	74.6 mm
$D_{b1}$	65 mm
$D_{b2}$	71 mm
A	30 mm
$A_1$	12 mm
$A_3$	3.2 mm
$A_5$	18 mm
$s_1$	19.8 mm
$R_G$	1/4-28 UNF



## SNR BEARING CORP.OF CANADA LTD.

$R_1$	21 mm
$D_N$	6.5 mm
$SW_N$	7 mm
$G_N$	1/4-28 SAE-LT
$J_6$	83 mm
$J_7$	19 mm
$N_4$	4 mm
Basic dynamic load rating C	14 kN
Basic static load rating $C_0$	7.8 kN
Fatigue load limit $P_u$	0.335 kN
Limiting speed	7000 r/min
Mass bearing unit	0.69 kg
Thread grub screw $G_2$	M6x0.75
Hexagonal key size for grub screw N	3 mm
Recommended tightening torque for grub screw	4 N · m
Recommended diameter for attachment bolts, mm G	10 mm
Recommended diameter for attachment bolts, inch G	0.375 in
Housing	FY 505 M
Bearing	YAR 205-2F
End cover	ECY 205