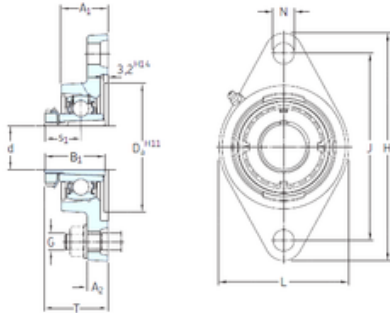




**SKF FYTJ 30 KF+HE 2306 bearing units**



Bearing No. FYTJ 30 KF+HE 2306

Bore Diameter	25,4 mm
d	25,4 mm
Da	76,2 mm
s1	22 mm
A1	30,5 mm
B1	38 mm
G	14 mm
H	148 mm
J	117 mm
L	80 mm
N	16 mm
T	40 mm
A2	13,5 mm
Weight	0,83 Kg
Basic dynamic load rating (C)	19,5 kN
Basic static load rating (C0)	11,2 kN
Fatigue load limit (Pu)	0,475

FYTJ 30 KF+HE 2306 Bearing 2D drawings and 3D CAD models