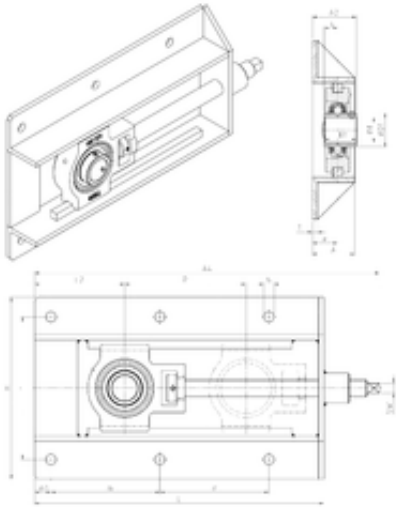




SNR BEARING CORP.OF CANADA LTD.



UCT212+WB Bearing 2D drawings and 3D CAD models

SNR UCT212+WB bearing units

Bearing No. UCT212+WB

| | |
|-------------------------------|---------|
| Bore Diameter | 60 mm |
| d | 60 mm |
| A4 | 651 mm |
| P | 300 mm |
| e | 38 mm |
| L2 | 127 mm |
| s | 25,4 mm |
| SW | 19 mm |
| A | 65 mm |
| B1 | 65,1 mm |
| D1 | 74,9 mm |
| H | 301 mm |
| J | 240 mm |
| L | 568 mm |
| M | 243 mm |
| M1 | 22 mm |
| N | 15 mm |
| T | 6 mm |
| A2 | 77,7 mm |
| Weight | 20,2 Kg |
| Basic dynamic load rating (C) | 52,5 kN |
| A1 | 22 mm |
| B | 65.1 mm |
| A5 | 39.7 mm |
| G | M6x1 |
| H1 | 130 mm |



SNR BEARING CORP.OF CANADA LTD.

| | |
|---|----------|
| H2 | 102 mm |
| L1 | 119 mm |
| L3 | 102 mm |
| N1 | 32 mm |
| N2 | 64 mm |
| s1 | 32.55 mm |
| S | 25.4 mm |
| C | 52.5 kN |
| C0 | 32.8 kN |
| T min. | -20 ° C |
| T max. | 100 ° C |
| Recommended tightening torque for set screw | 22 Nm |
| Designation of housing | T212- |
| Designation of bearing | UC212G2 |