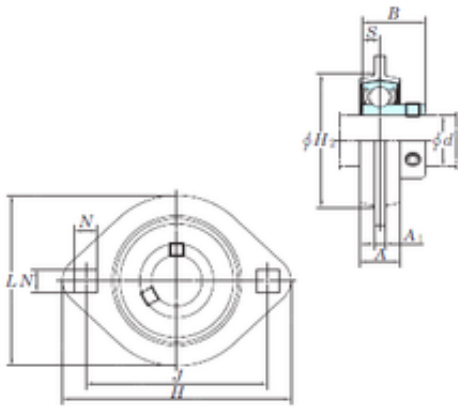




# SNR BEARING CORP.OF CANADA LTD.

## KOYO SBPFL206-20 bearing units

Bearing No. SBPFL206-20



SBPFL206-20 Bearing 2D drawings and 3D CAD models

Bore Diameter	30 mm
Width	30 mm
d	30 mm
A	19 mm
A1	5,2 mm
B	30 mm
H	113 mm
H2	71 mm
J	90,5 mm
L	84 mm
N	11 mm
S	8 mm
Bolt (G)	M10
Weight	0,38 Kg
Basic dynamic load rating (C)	19,5 kN
Basic static load rating (C0)	11,3 kN
Category	Bearings
Inventory	0.0
Manufacturer Name	KOYO
Minimum Buy Quantity	N/A
Weight / Kilogram	0
Product Group	M06110