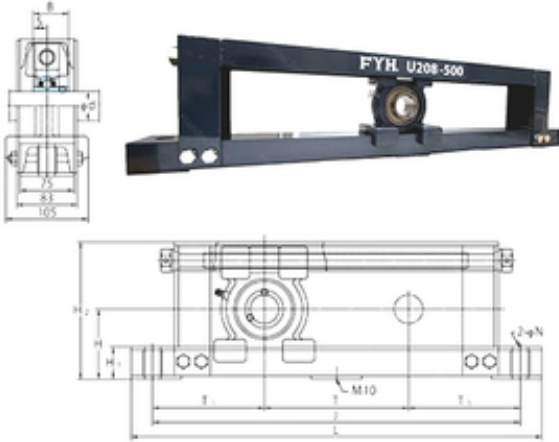




# SNR BEARING CORP.OF CANADA LTD.

## FYH UCTU318-800 bearing units

Bearing No. UCTU318-800



UCTU318-800 Bearing 2D drawings and 3D CAD models

Bore Diameter	90 mm
Width	96 mm
d	90 mm
T1	245 mm
B	96 mm
H	170 mm
H1	55 mm
H2	335 mm
J	1290 mm
L	1350 mm
N	22 mm
S	40 mm
T	800 mm
Bolt (G)	M18
Weight	72 Kg
Basic dynamic load rating (C)	143 kN
Basic static load rating (C0)	107 kN