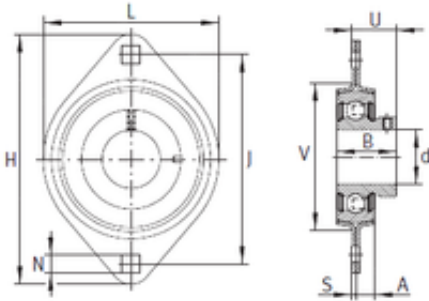




INA RATY30 bearing units



Bearing No. RATY30

RATY30 Bearing 2D drawings and 3D CAD models

Bore Diameter	30 mm
d	30 mm
V	71 mm
U	23,5 mm
A	8,7 mm
B	30 mm
H	112,7 mm
J	90,5 mm
L	84 mm
N	10,5 mm
S	2,5 mm
Category	Flange Block Bearings
Inventory	0.0
Manufacturer Name	SCHAEFFLER GROUP
Minimum Buy Quantity	N/A
Weight / Kilogram	0.41
EAN	4012802796025
Product Group	M06110
Number of Mounting Holes	2
Mounting Method	Set Screw
Housing Style	2 Bolt Flange Block
Rolling Element	Ball Bearing
Housing Material	Stamped Steel
Expansion / Non-expansion	Non-expansion
Mounting Bolts	10.5 Millimeter
Relubricatable	No



SNR BEARING CORP.OF CANADA LTD.

Insert Part Number	AY30NPPB
Seals	Double Lip Contact
Housing Configuration	1 Piece Solid
Pilot Configuration	No Pilot
Inch - Metric	Metric
Long Description	2 Bolt Flange Block; 30MM Bore; 90.5MM Bolt Circle; 90.5MM Bolt Spacing; 1 Piece Solid; Set Screw Mount; Stamped Steel; Ball Bearing; 30MM Length Thru Bore; No Relubricatable; Double Lip Contact Seals
Other Features	Single Row With Grub Screw
Category	Flange Block
UNSPSC	31171501
Harmonized Tariff Code	8483.20.40.40
Noun	Bearing
Keyword String	Flanged
Manufacturer URL	http://www.ina.com
Manufacturer Item Number	RATY30
Weight / LBS	0.904
Length Thru Bore	1.181 Inch 30 Millimeter
Bore	1.181 Inch 30 Millimeter
Nominal Bolt Circle Diameter Round	3.6 Inch 90.5 Millimeter
Cartridge Pilot Depth	0 Inch 0 Millimeter
Bolt Spacing	3.563 Inch 90.5 Millimeter
Cartridge Pilot Diameter	0 Inch 0 Millimeter