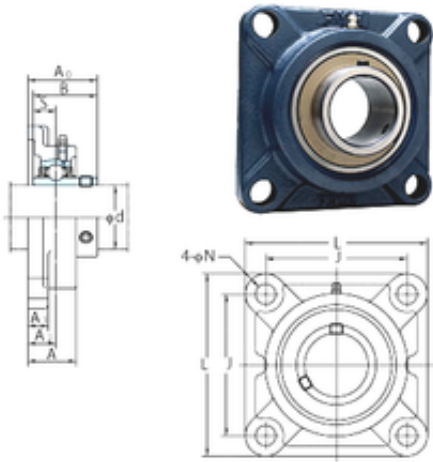




SNR BEARING CORP.OF CANADA LTD.

FYH UCFX15 bearing units

Bearing No. UCFX15



UCFX15 Bearing 2D drawings and 3D CAD models

Bore Diameter	75 mm
d	75 mm
A0	89,3 mm
A	68 mm
A1	24 mm
B	82,6 mm
J	152 mm
L	197 mm
N	23 mm
S	33,3 mm
Bolt (G)	M20
A2	40 mm
Weight	8,4 Kg
Basic dynamic load rating (C)	72,7 kN
Basic static load rating (C0)	53 kN
Category	Bearings
Inventory	0.0
Manufacturer Name	FYH BEARING UNITS
Minimum Buy Quantity	N/A
Weight / Kilogram	0
Product Group	M06110