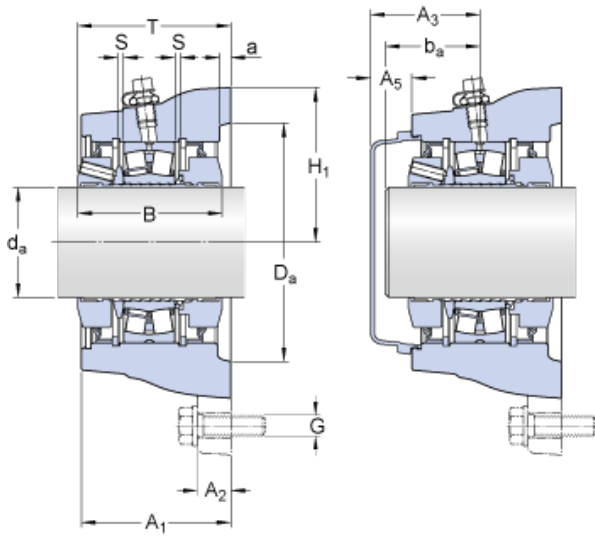




SNR BEARING CORP.OF CANADA LTD.



FYNT 70 L Bearing 2D drawings and 3D CAD models

SKF FYNT 70 L bearing units

Bearing No. FYNT 70 L

Size	70x82x25 mm
Bore Diameter	70 mm
Outer Diameter	82 mm
Width	25 mm
da	70 mm
A ₁	82 mm
A ₂	25 mm
T - max.	81.3 mm
B	72 mm
H	196 mm
H ₁	98 mm
J	152 mm
L	196 mm
D _a	150 mm
H	19 mm
a	6 mm
S	2.5 mm
J ₅	87 mm
J ₆	54 mm
N ₄ - max.	8 mm
A ₃	80 mm
A ₅	38.5 mm
b _a - min.	38 mm
b _a - max.	70 mm
Basic dynamic load rating -	208 kN



SNR BEARING CORP.OF CANADA LTD.

C	
Basic static load rating - C_0	228 kN
Fatigue load limit - P_u	25.5 kN
Limiting speed	2600 r/min
Calculation factor - e	0.22
Calculation factor - Y_1	3
Calculation factor - Y_2	4.6
Diameter - d_m	97.5 mm
Basic Designation bearing	22214 E
P_a	20 kN
P_1	150 kN
P_2	140 kN
P_3	340 kN
Mass bearing unit	11 kg
Category	Bearings
Inventory	0.0
Manufacturer Name	SKF
Minimum Buy Quantity	N/A
Weight / Kilogram	0.762
Product Group	M06288
d_a	70 mm
A_1	82 mm
A_2	25 mm
T max.	81.3 mm
H_1	98 mm
D_a	150 mm
N	19 mm
A_3	80 mm
A_5	38.5 mm
b_a min.	38 mm
b_a max.	70 mm



SNR BEARING CORP.OF CANADA LTD.

J ₅	87 mm
J ₆	54 mm
N ₄ max.	8 mm
Basic dynamic load rating C	208 kN
Basic static load rating C ₀	228 kN
Fatigue load limit P _u	25.5 kN
Calculation factor e	0.22
Calculation factor Y ₁	3
Calculation factor Y ₂	4.6
Bearing mean diameter d _m	97.5 mm
P ₁	150 kN
P ₂	140 kN
P ₃	340 kN
P _a	20 kN
Attachment bolt diameter G	16 mm
Tightening torque for attachment bolts	200 N · m
Grub screws	4 x M 6
Tightening torque for grub screws	8 N · m
Grease quantity for relubrication	8 g