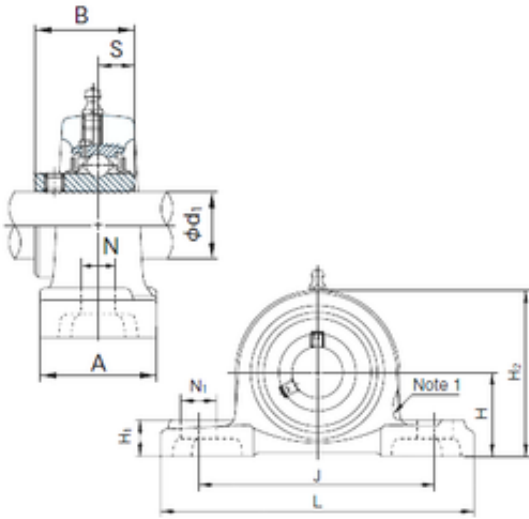




# SNR BEARING CORP.OF CANADA LTD.



UCP314 Bearing 2D drawings and 3D CAD models

## NACHI UCP314 bearing units

Bearing No. UCP314

Bore Diameter	70 mm
Width	78 mm
d	70 mm
A	90 mm
B	78 mm
H	95 mm
H1	40 mm
H2	186 mm
J	280 mm
L	360 mm
N	27 mm
N1	40 mm
S	33 mm
Bolt (G)	M22