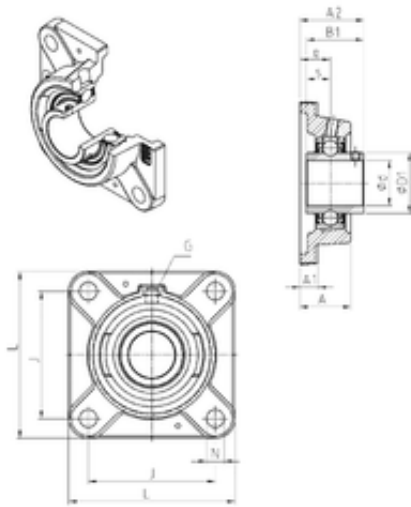




SNR BEARING CORP.OF CANADA LTD.



SNR UCFE215 bearing units

Bearing No. UCFE215

Bore Diameter	75 mm
d	75 mm
e	41,3 mm
s	33,3 mm
A	59 mm
A1	20 mm
B1	77,8 mm
D1	91,5 mm
J	153 mm
L	197 mm
N	23 mm
Thread (G)	R1/8"
A2	85,8 mm
Weight	6,3 Kg
Basic dynamic load rating (C)	66 kN

UCFE215 Bearing 2D drawings and 3D CAD models