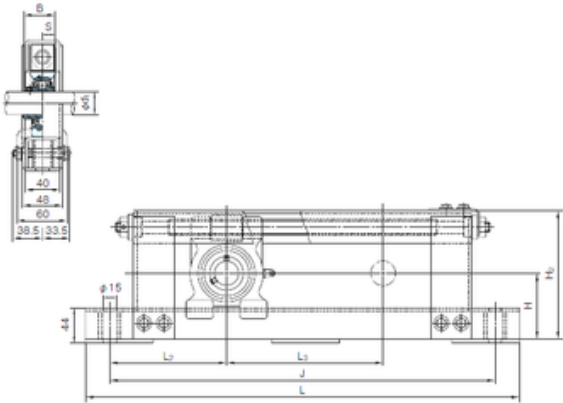




NACHI UCTL209+WL400 bearing units

Bearing No. UCTL209+WL400



UCTL209+WL400 Bearing 2D drawings and 3D CAD models

Bore Diameter	45 mm
Width	49,2 mm
d	45 mm
L2	160 mm
L3	400 mm
B	49,2 mm
H	100 mm
H2	192 mm
J	720 mm
L	780 mm
S	19 mm
Bolt (G)	M12