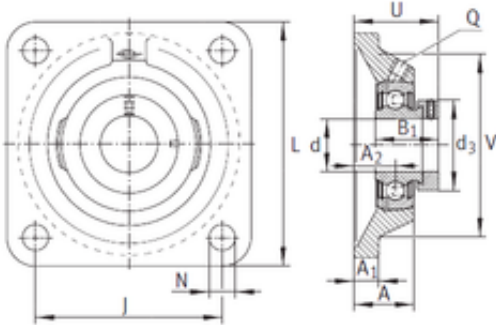




# SNR BEARING CORP.OF CANADA LTD.

## INA PCJ35-N-FA125 bearing units



Bearing No. PCJ35-N-FA125

Bore Diameter	35 mm
d	35 mm
V	100 mm
U	50,5 mm
Thread (Q)	Rp1/8
d3	51 mm
A	30,5 mm
A1	12,5 mm
B1	39 mm
J	92 mm
L	118 mm
N	14 mm
A2	21 mm
Weight	1,46 Kg
Basic dynamic load rating (C)	25,5 kN
Category	Flange Block Bearings
Inventory	0.0
Manufacturer Name	SCHAEFFLER GROUP
Minimum Buy Quantity	N/A
Weight / Kilogram	1.676
EAN	4012802810424
Product Group	M06110
Number of Mounting Holes	4
Mounting Method	Eccentric Collar
Housing Style	4 Bolt Square Flange Block
Rolling Element	Ball Bearing

PCJ35-N-FA125 Bearing 2D drawings and 3D CAD models



## SNR BEARING CORP.OF CANADA LTD.

Housing Material	Cast Iron
Expansion / Non-expansion	Non-expansion
Mounting Bolts	14 Millimeter
Relubricatable	Yes
Insert Part Number	GRAE35NPPB
Seals	Double Lip Contact
Housing Configuration	1 Piece Solid
Pilot Configuration	No Pilot
Inch - Metric	Metric
Long Description	4 Bolt Square Flange Block; 35MM Bore; 130MM Bolt Circle; 92MM Bolt Spacing; 1 Piece Solid; Eccentric Collar Mount; Cast Iron; Ball Bearing; 38.9MM Length Thru Bore; Relubricatable; Double Lip Contact
Other Features	Single Row   With Set Screw
Category	Flange Block
UNSPSC	31171501
Harmonized Tariff Code	8483.20.40.40
Noun	Bearing
Keyword String	Flanged
Manufacturer URL	<a href="http://www.ina.com">http://www.ina.com</a>
Manufacturer Item Number	PCJ35N-FA125
Weight / LBS	3.528
Cartridge Pilot Diameter	0 Inch   0 Millimeter
Bolt Spacing	3.622 Inch   92 Millimeter
Bore	1.378 Inch   35 Millimeter
Nominal Bolt Circle Diameter Round	5.1 Inch   130 Millimeter
Length Thru Bore	1.531 Inch   38.9 Millimeter
Cartridge Pilot Depth	0 Inch   0 Millimeter