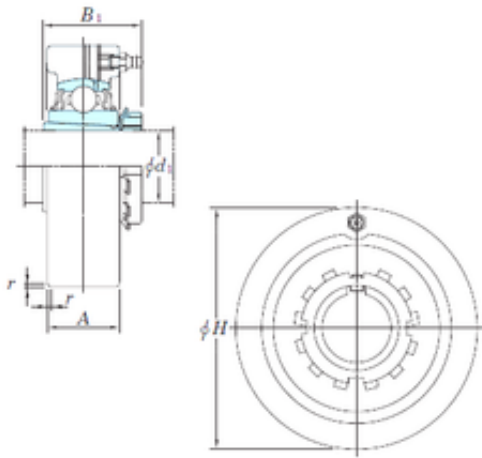




# SNR BEARING CORP.OF CANADA LTD.



## KOYO UKC207 bearing units

Bearing No. UKC207

Bore Diameter	30 mm
d	30 mm
r	2 mm
A	28 mm
B1	35 mm
H	90 mm
Weight	0,97 Kg
Basic dynamic load rating (C)	25,7 kN
Basic static load rating (C0)	15,4 kN

UKC207 Bearing 2D drawings and 3D CAD models